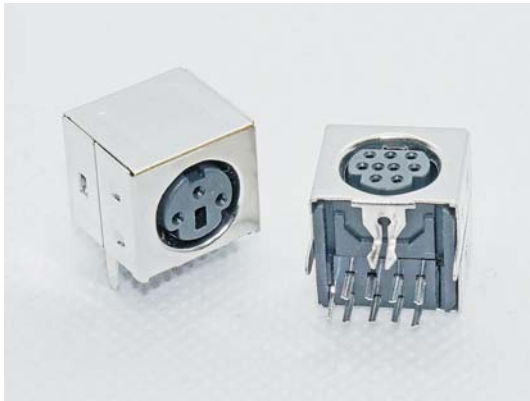
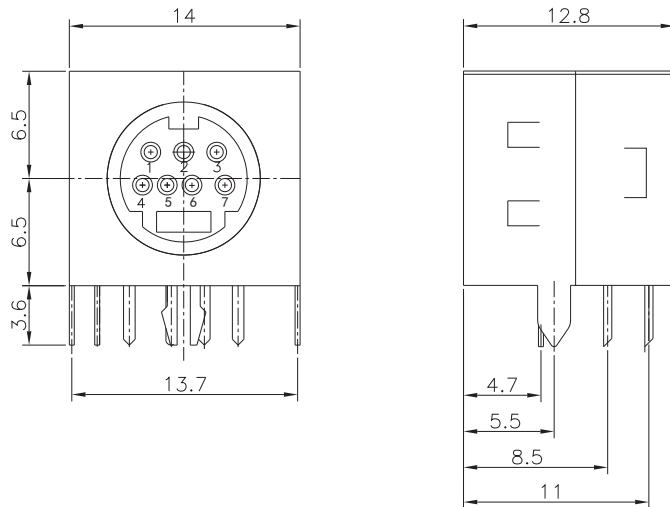


# C1C1S3 SERIES

## MINI DIN CONNECTOR



### Dimensions



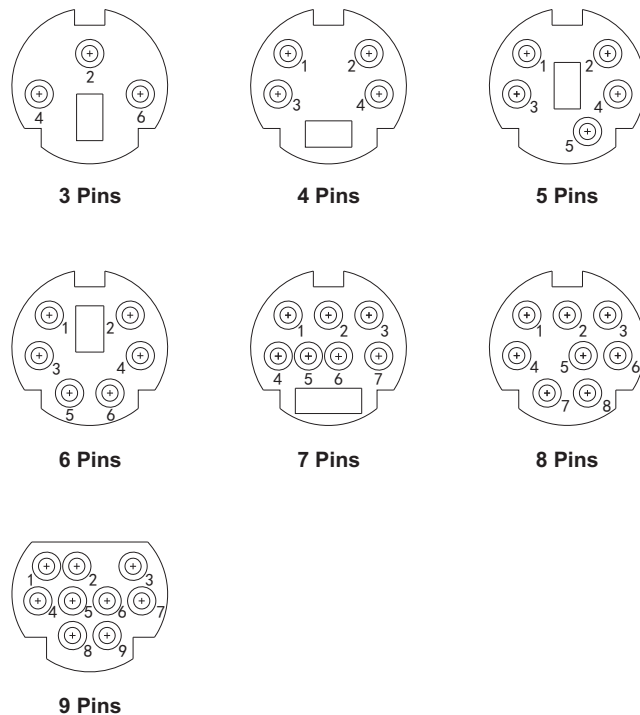
### Materials and Finish

**Housing:**  
Engineering thermoplastic, UL 94V-0  
**Contacts:**  
Phosphor Bronze  
**Shell:**  
Brass

### Electrical Characteristics

**Contact Current Rating:**  
DC 12V 2A Max. ; AC 100V 1A Max.  
**Contact Resistance:**  
30 milliohms Max.  
**Dielectric Withstanding Voltage:**  
250 VAC Min.  
**Insulation Resistance:**  
100 megohms Min.  
**Operating Temperature:**  
-25°C ~ +50°C  
**Insertion Force:**  
3.6Kgf Max.  
**Withdrawal Force:**  
0.5Kgf ~3.6Kgf  
**Durability:**  
1000 Cycles

### Pin Assignments (Front View)



### Ordering Information

**C** 1 **C** 1 **S** 3 - X X X **E** - **R**

① Mini DIN Series

② No. of Contacts  
3-9 Pins

③ Options  
Options for housing color, housing material,  
grounding style, shield style, shield plating,  
and other customers' requirement.

④ Contact Plating  
1: Tin (Sn)  
E: Silver (Ag)

① Model