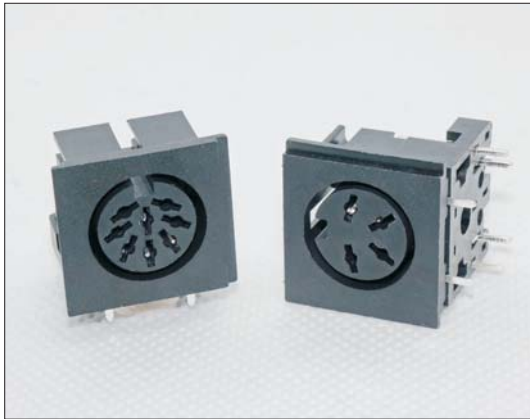
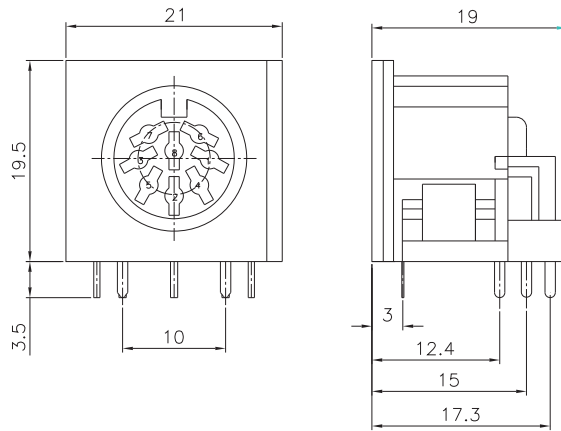


C1C0S1 SERIES

DIN CONNECTOR, RIGHT ANGLE



Dimensions



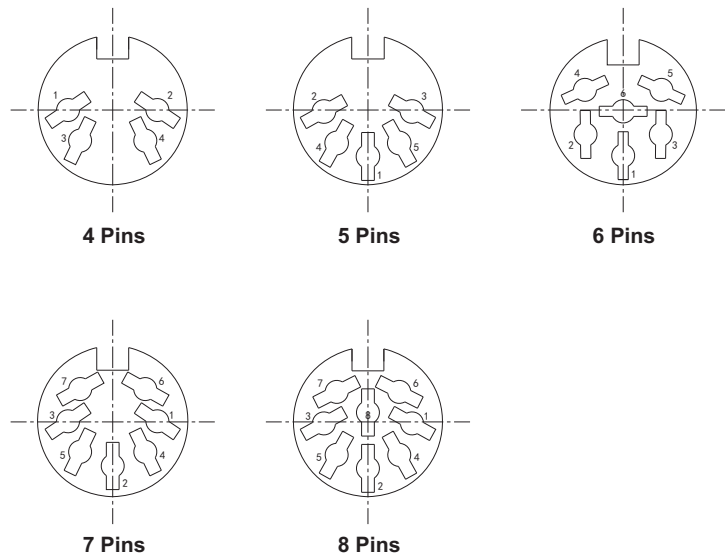
Materials and Finish

Housing:
Engineering thermoplastic, UL 94V-0
Contacts:
Brass
Ground Terminal:
Phosphor Bronze

Electrical Characteristics

Contact Current Rating:
AC 100V 2A Max.
Contact Resistance:
30 milliohms Max.
Dielectric Withstanding Voltage:
500 VAC Max. for 1 minute
Insulation Resistance:
100 megohms Min.
Operating Temperature:
-25°C ~ +70°C
Insertion Force:
1.0Kgf ~5.0Kgf
Withdrawal Force:
1.0Kgf ~5.0Kgf
Durability:
5000 Cycles

Pin Assignments (Front View)



C 1 C 0 S 1 - X X X E - R

①

②

③

④

RoHS

① **DIN Series**

② **No. of Contacts**
4-8 Pins

③ **Options**
Options for housing color, housing material,
grounding style, shield style, shield plating,
and other customers' requirement.

④ **Contact Plating**
A: Tin (Sn)
E: Silver (Ag)

① **Model**

Ordering Information