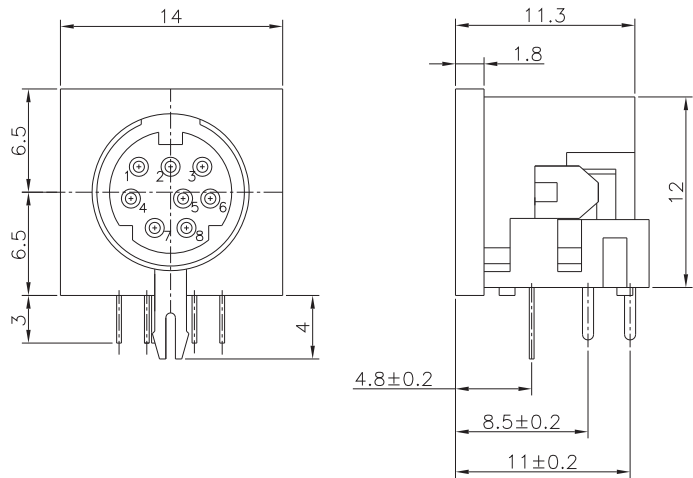


C1C1R9 SERIES

MINI DIN CONNECTOR



Dimensions



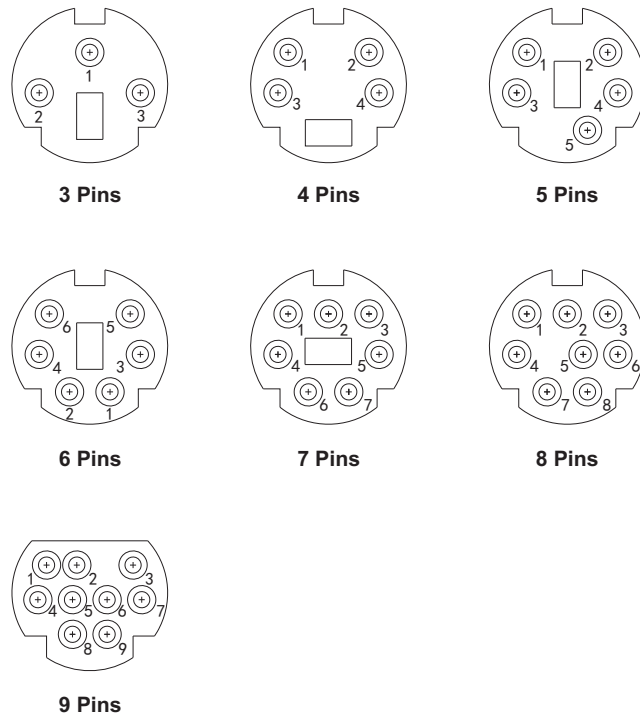
Materials and Finish

Housing:
Engineering thermoplastic, UL 94V-0
Contacts:
Phosphor Bronze
Ground Terminal:
Brass

Electrical Characteristics

Contact Current Rating:
DC 12V 2A Max. ; AC 100V 1A Max.
Contact Resistance:
30 milliohms Max.
Dielectric Withstanding Voltage:
250 VAC Min.
Insulation Resistance:
100 megohms Min.
Operating Temperature:
-25°C ~ +50°C
Insertion Force:
3.6Kgf Max.
Withdrawal Force:
0.5Kgf ~3.6Kgf
Durability:
1000 Cycles

Pin Assignments (Front View)



Ordering Information

C 1 C 1 R 9 - X X X E - R
① ② ③ ④ RoHS

① Mini DIN Series

② No. of Contacts
3-9 Pins

③ Options
Options for housing color, housing material,
grounding style, shield style, shield plating,
and other customers' requirement.

④ Contact Plating
1: Tin (Sn)
E: Silver (Ag)

① Model